

- ▶ **Programmable Sensor with angles from 30° to 360°**
- ▶ **6 mm D-Shaft Rotary Sensor**
- ▶ **Hall Effect non-contact technology**
- ▶ **Long life - extremely robust**
- ▶ **IP68 protection**
- ▶ **Selectable mounting options**
- ▶ **Redundant output**

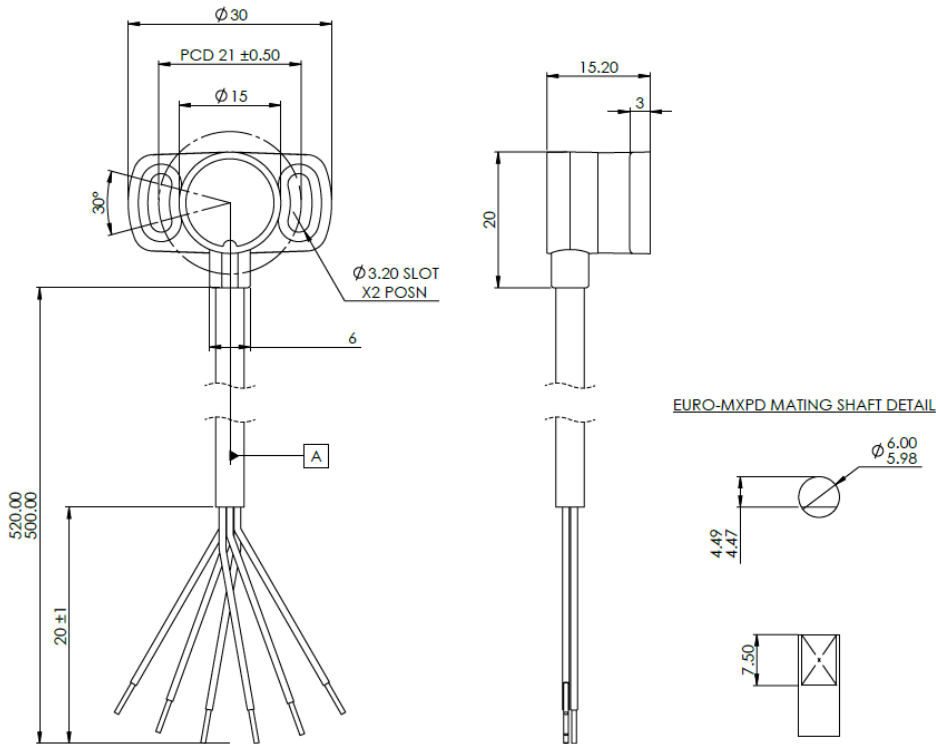
Based on the well proven Euro-XPD angle sensor, this miniaturised variant boasts the same features in a 30 mm outer diameter package. With programmable angle selection and redundant output, this extremely compact and contactless Hall-Effect sensor features IP68 sealing and will suit arduous, high-duty cycle position feedback applications in all industries.

Specifications	
Mechanical	
Typical Life Cycle	>50 million movements (restriction by mechanics)
Torque	< 0.1 Ncm
Measuring range	360° redundant, signal 1 cw, signal 2 ccw
Housing	High grade temperature resistant plastic
D-Shaft	Nylon 66
Tightening torque	Maximum recommended tightening Torque 2Nm
Mounting	Customer to ensure correct suitability and fitment of mounting bolts
Weight	21 g
Environmental	
Operating temperature	-40° C to +125° C (Short term 150° C)
Vibration	20...2000 Hz; Amax = 0.75 mm; amax = 31.4 g to IEC 60068-2-6
IP rating	IP68 (minimum)
Electrical	
Supply Voltage	5V +/- 0.5V
Output signal	Ratiometric 5%...95% of supply (+/-25mv of specified electrical output range for both start and end voltage). PWM Frequency 100 Hz ... 1000 Hz default, duty cycle between 5% - 95%
Sample Rate (Fast Mode)	5KHz
System Propagation Delay (Fast Mode)	600µs
Independent linearity	+/- 0.5% of each signal range
Isolation resistance	200 MΩ (500 VDC, 1 bar, 2s)
Electrical connection	See ordering code/wiring diagram
Cable type	24 AWG PFA Insulated cable sheathed in a PUR Fuel/Diesel resistant jacket

EURO-MXPD PROGRAMMABLE SENSOR MICRO D-SHAFT SENSOR



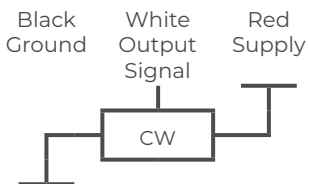
Dimensions in mm



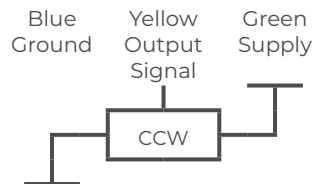
NOTES:
1. DATUM A DENOTES MIDPOINT OF ELECTRICAL ANGLE (AS STANDARD).
2. SENSOR COMES WITH 5mm TINNED CONDUCTORS.

Wiring

CHANNEL 1 CW



CHANNEL 2 CCW



EURO-MXPD PROGRAMMABLE SENSOR MICRO D-SHAFT SENSOR



Ordering information

(Please use the characters in the chart below to create your product code)

Sample Code Euro-MXPD - 1 1 1 - 1521 - 360 - 11 - 78 - 50

Series	Euro-MXPD
Input type	1 5V supply
Output type	1 Analog Ratiometric 2 PWM
No. of channels	1 Single channel 2 Dual channel
Mounting flange PCD	21 21 mm PCD XX Custom on request
Electrical angle	360 Standard electrical angle 360° Optional Angle from 30° to 360° in 1° steps (e.g. 181 = 181°)
Output signal	1 5% to 95% of input Voltage 2 10% to 90% of input Voltage 3 Custom on request e.g. 11 = 5 to 95% both channels
Channel direction	7 Clockwise 8 Counter clockwise e.g. 77 = Clockwise both channels
Cable length	50 Standard Cable Length 500 mm XX Custom on request < 1 metre XXX Custom on request > 1 metre