

GYRN3-S-F

3 AXIS GYROSCOPE

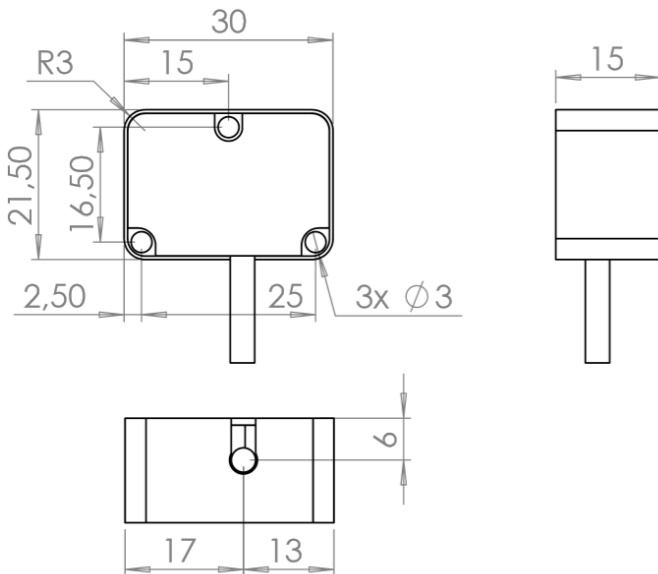
Ref:GYRN3-S-F##-##-X#-Y#-Z#

SN: G#####

Software version: v#.##

Texys sensors are designed for data recording. If the user wants to include this sensor in a close loop system or active control, he must assume all responsibility.

Range	±50, ±100, ±150	°/s
Accuracy	2	%
Sensitivity	40, 20, 13.3	mV/°/s
Filter	5th, 8th or 10th	order
Filter type Depending on filter order	Linear Phase Butterworth Elliptic	5, 8, 10 5, 8 5, 8
Cut off frequency	40	Hz
Supply Voltage	6 to 16	V
Supply Current	←40	mA
Output Impedance	47	Ω
Linear analog output	0 to 5	V
Output signal at 0°/sec	2.5	V
Calibrator	rotating plate	
Error at 0°/sec	±1	°/s
Cross axis sensitivity	3	%
Offset Drift (20 to 80°C)	±1.0	°/s
Offset Drift (20 to 100°C)	±1.5	°/s
Gain Drift (20 to 80°C)	±0.3	%
Gain Drift (20 to 100°C)	±1	%
Dim	30 x 21.5 x 15	mm
Material	Aluminum	
Weight	30	g
Protection	IP66	
Vibration test	20Gpp 5'	
Shock	1000	G
Operating Temp	-20 to +105	°C
Storage Temp	-40 to +125	°C



Sensor Readings		
	mV at 0°/s	mV/°/s
X		
Y		
Z		

Cable:

☒ 6x26AWG FEP Tinned copper braided cable 250V 200°C

☐ 6x32AWG PFA Tinned copper braided cable 250V 200°C

Length :1000 mm Tubing:

Connector: _____

Colour	Function	Pin
Red	Supply	
Black	0V	
White	Signal X	
Green	Signal Y	
Yellow	Signal Z	
Blue	Diag (not to be connected) and isolate	
Braid	Connected to case	

Calibration table			
°/s	±50°/s 40mV/°/s	±100°/s 20mV/°/s	±150°/s 13,3mV/°/s
-150			0.5
-100		0.5	1,17
-50	0.5	1.5	1,83
0	2.5	2.5	2.5
+50	4.5	3.5	3.17
+100		4.5	3,83
+150			4.5

Out of Range

Ordering ref ex: GYRN3-S-F5-LP-XA-YB-ZC

GYRN3-S-FOrder -FType -XRange-YRange-ZRange

Forder 5 for 5th order

8 for 8th order

10 for 10th order (only LP)

Ftype LP for linear Phase

B for Butterworth

E for Elliptic

Range A for 50°/s

B for 100°/s

C for 150°/s

N for none

