

PI-4-V2

Pitot pressure sensor V2

SN: P#####

Texense sensors are designed for data logging. Should the users want to include this sensor in a closed loop system, they must undertake total responsibility from doing so.

| Pressure measurement | | |
|-------------------------------|-------------------------------|-------------|
| Range | 12.5 to 76 | Mbar |
| | 0.18 to 1.10 | Psi |
| Accuracy | 0.25 | % |
| Sensitivity | 12.5mBar | 320 mV/mbar |
| | 25mBar | 160 mV/mbar |
| | 50mBar | 80 mV/mbar |
| | 70mBar | 57 mV/mbar |
| | 76mBar | 53 mV/mbar |
| Sensitivity drift (0 to 80°C) | 1 | %FS |
| Gravity sensitivity | 1 | mV/G |
| Cut-off frequency | 330 | Hz |
| Offset | 0.5 ± 0.1 | V |
| Offset drift (0 to 80°C) | 20 | mV |
| Electrical features | | |
| Supply voltage | 6 to 16 | V |
| Supply current | 2,2 | mA |
| Output voltage | 0 to 5 | V |
| Output impedance | 47 | Ω |
| Calibrator | Mensor CPC 4000 | |
| Mechanical features | | |
| Dimension | 24x22x14.5 | mm |
| Material | Aluminium and stainless steel | |
| Weight | 28 | g |
| Environment | | |
| Protection | IP64 | |
| Vibration test | 20Gpp5' | |
| Shock | 500 | G |
| Compensated temp | -20 to 80 | °C |
| Operating temp | +5 to +85 | °C |
| Storage temp | -40 to +125 | °C |

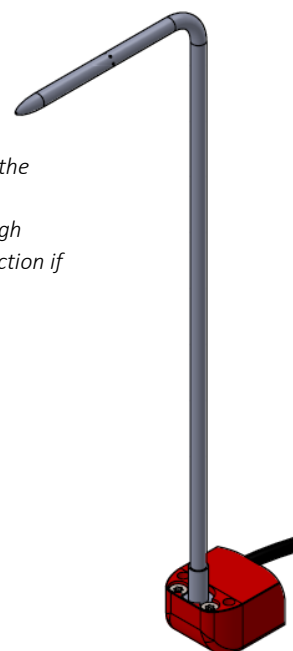
| | | | |
|-------------|-----------------|----------|--|
| Date | | Operator | |
| Customer | | | |
| Order | | | |
| Product Ref | PI-4-V2-###-### | | |

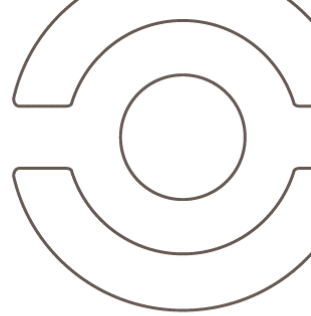
| Cable | | |
|-----------------------------------------------------|-------------------|--------------|
| 3x26 AWG FEP tinned copper braided cable 250V 200°C | | |
| Length: 1000mm ±10% | | Tubing: None |
| Connector: N/A | | |
| Color | Function | Pin |
| Red | Supply input | - |
| White | Signal | - |
| Black | 0V | - |
| Braid | Connected to case | - |

| Sensor readings | | |
|-----------------|----------|-------|
| Sensitivity | ... mbar | ... V |
| ... mV/mbar | ... mbar | ... V |

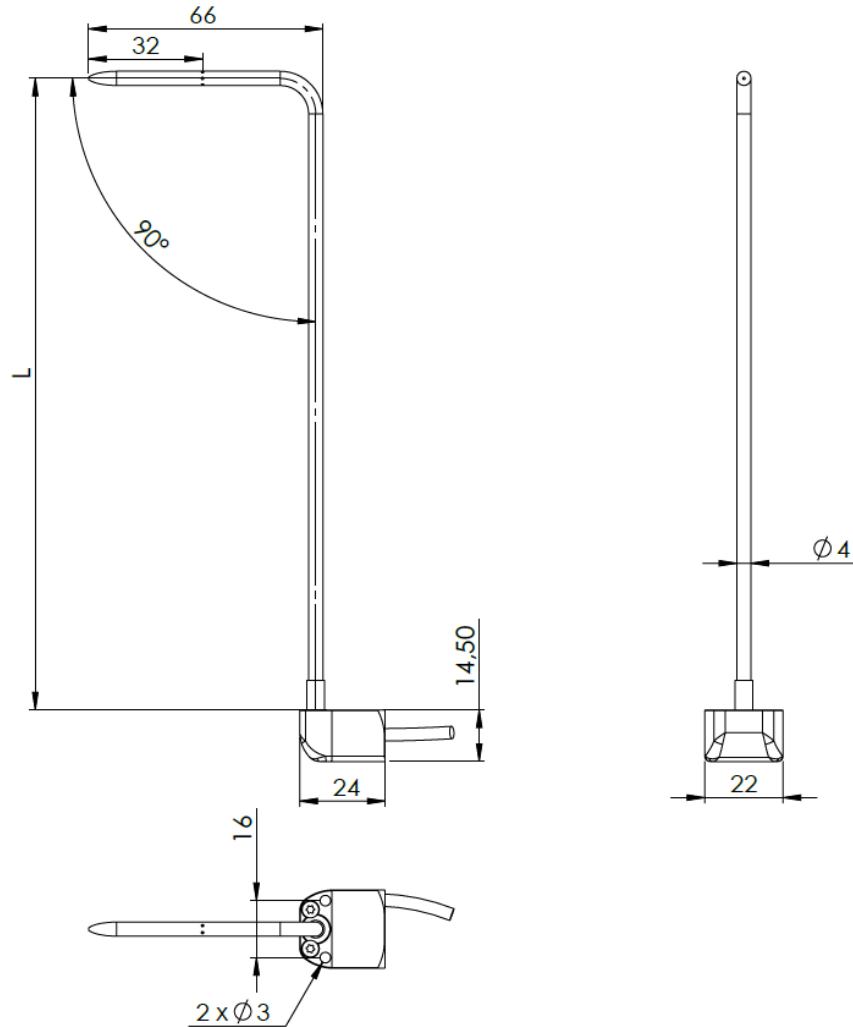
| Maximum airspeed at 25°C and 1000mbar atmospheric pressure | | | | |
|------------------------------------------------------------|----------|----------|----------|----------|
| 12,5 mbar | 25 mbar | 50 mbar | 70 mbar | 76 mbar |
| 166 km/h | 235 km/h | 330 km/h | 394 km/h | 410 km/h |

- *Do not blow into the tube, with the mouth or an air line
- *The sensor doesn't withstand high humidity, there is a risk of obstruction if water enters in the tube
- *Beware of condensation at low temperature





Mechanical drawing



Ordering information

| Ordering ref: | |
|-----------------------|-------|
| PI-4-V2-Range-L | |
| 12,5 | 100mm |
| 25 | 180mm |
| 50 | 200mm |
| 70 | |
| 76 | |
| Ex : PI-4-V2-12,5-100 | |